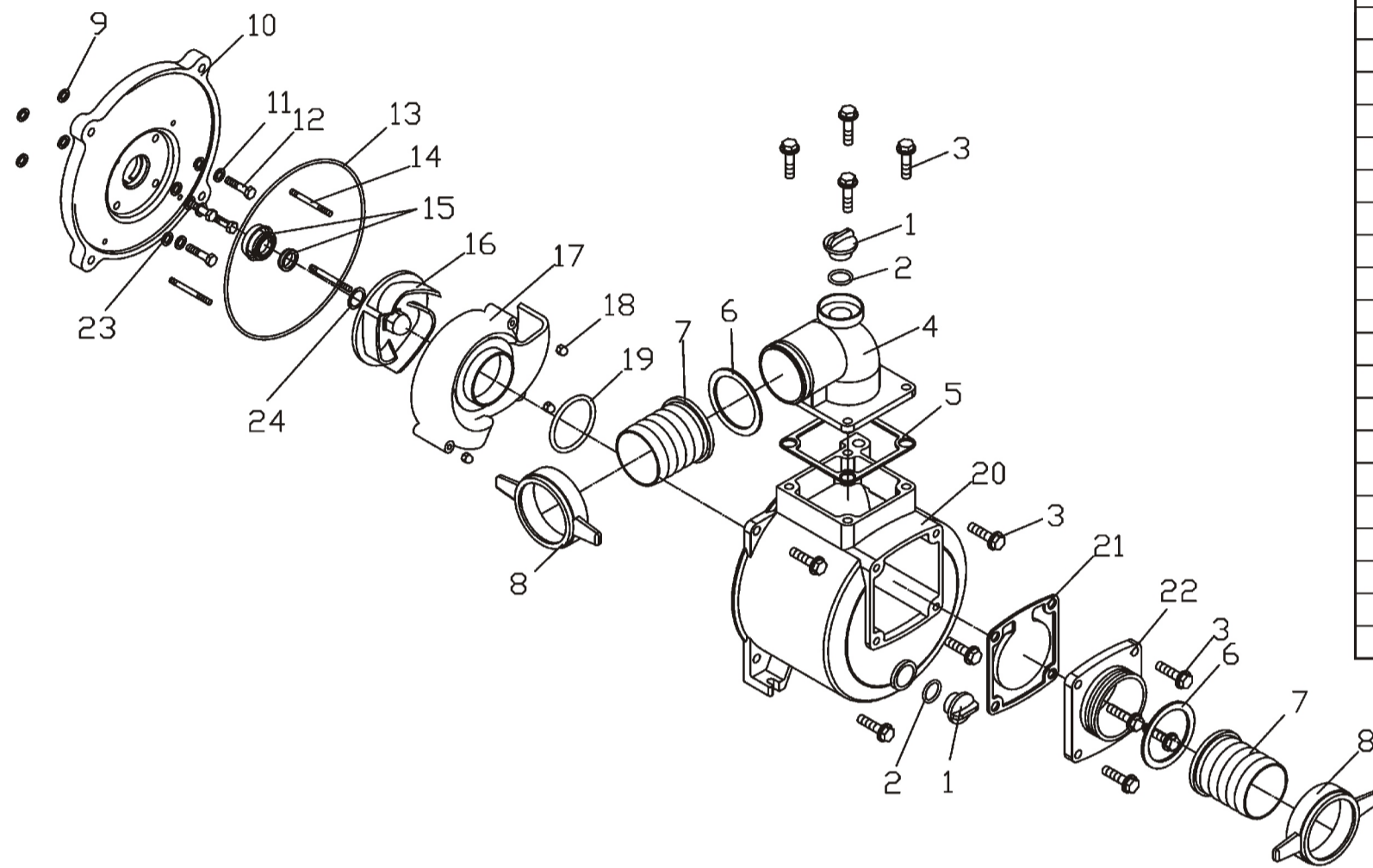


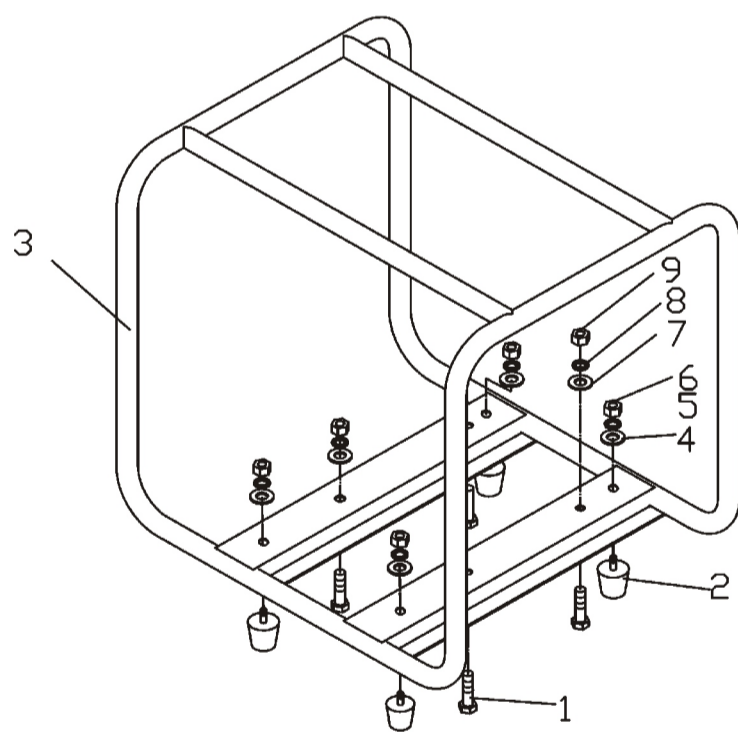
# ASSEMBLY AND PARTS ALBUM

## KGP30/KDP30



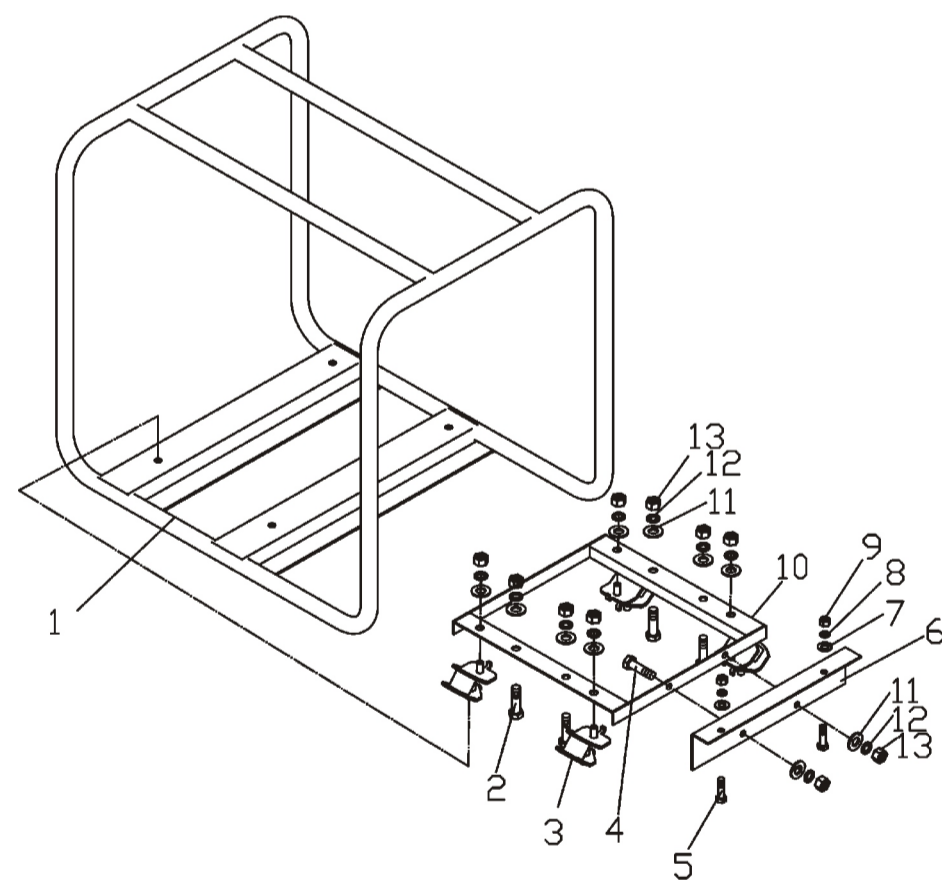
(1) 3" Pump Assembly (80KBZ-01000)

No.	Code.	Description	Qty.
1	50KBZ-01012	Screw Plug	2
2	GB/T3452.1-1992	O-Ring 25.8×3.55	2
3	GB/T5789-1986	Bolt M10×30	12
4	80KBZ-01005	Drained Water Outlet Seat	1
5	80KBZ-01006	Washer of Drained Water Outlet Seat	1
6	80KBZ-01008	Rubber Seal Washer	2
7	80KBZ-01009	Intake (Outlet) Pipe Joint	2
8	80KBZ-01007	Locking Nut	2
9	80KBZ-01015	Adjusting Washer of Pump Cover	4
10	80KBZ-01001	Pump Cover	1
11	50KBZ-01013	Seal Washer	4
12	GB/T5789-1986	Bolt M8×35	4
13	GB/T3452.1-1992	O-Ring 230×3.55	1
14	GB/T900-1988	Stud AM6×50	3
15	80KBZ-01100	Machine Seal Unit	1
16	80KBZ-01004	Impeller	1
17	80KBZ-01003	Buffer	1
18	GB/T923-1988	Nut M6	3
19	GB/T3452.1-1992	O-Ring 69×5.3	1
20	80KBZ-01002	Pump Body	1
21	80KBZ-01200	Flap Valve Assembly	1
22	80KBZ-01011	Water Intake Seat	1
23	GB/T97.1-1985	Gasket 8	4
24	50KBZ-01016	Impeller Adjusting Washer	1



(2) Housing Assembly (KGP30-03000)

No.	Code.	Description	Qty.
1	GB/T5781-1986	Bolt M10×20	4
2	50QBZ-05000	Cushion Unit	4
3	80QBZ-03000	Housing Weldment	1
4	GB/T97.1-1985	Gasket 6	4
5	GB/T93-1987	Gasket 6	4
6	GB/T6170-2000	Nut M6	4
7	GB/T97.1-1985	Gasket 10	4
8	GB/T93-1987	Gasket 10	4
9	GB/T6170-2000	Nut M10	4



(3) Housing Assembly (KDP30-03000)

No.	Code.	Description	Qty.
1	80KBZ-03000	Housing Weldment	1
2	GB/T5781-1986	Bolt M10×20	4
3	80KBZ-02000	1# Cushion Unit	4
4	GB/T5781-1986	Bolt M10×25	2
5	GB/T5789-1986	Bolt M8	2
6	80KBZ-04001	Support Plate of Water Pump	1
7	GB/T97.1-1985	Gasket 8	2
8	GB/T93-1987	Gasket 8	2
9	GB/T6170-2000	Nut M8	2
10	80KBZ-04000	Support Plate	1
11	GB/T97.1-1985	Gasket 10	10
12	GB/T93-1987	Gasket 10	10
13	GB/T6170-2000	Nut M10	10